



INDOOR DIGITAL SIGNAGE

LARGE SIZE FORMAT APPLIED SCREEN

CLASS	MODEL
65"	D65AM

KEY FEATURES

- LED BLU, Slim Design
- Power Consumption Reduced at 40% Compared to Normal Display
- Built in Video Wall Function
- High Connectivity
- Remote Control (RS232)



Broadcast your branding with Hyundai Digital Signage!

Thanks to the advanced product design, Hyundai Digital Signage Display meets requirements for various digital signage solutions. Not only take advantage from slim and simple design, but also think more about our future environment, saving energy up to 40 percent. LED technologies bring more than just expected.



SPECIFICATIONS

Model		D65AM
Panel	Screen Size (diagonal)	65"
	Active Display Area (inch mm)	56.24 x 31.63 1428.5 x 803.52
	Resolution	1920 x 1080
	Aspect Ratio	16 : 9
	Display Colors	16.7M
	Brightness (cd/m ² ; typ.)	350
	Contrast Ratio	4000:1
	Response Time (ms; GTG)	6.5
	Viewing Angle	178° / 178°
	Lifetime (hours)	30,000
	Backlight type	LED
Resolution	Monitor	1920 x 1080
	DTV	1080p
Input		1 x DP(Optional) 1 x HDMI 1 x DVI 1 x VGA(D-Sub) 1 x IR 1 x RS232C
Output		1 x DVI 1 x IR 1 x RS232C Audio Line Out Speaker (Ready)
Power	Input Voltage	100 – 240V AC
	Power consumption	150
Features	PIR Sensor (Motion detection)	Option
	Auto Power Control(DPMS)	Yes
Operation	Temperature (°C)	0 - 40
	Humidity (%)	20 - 80
	OSD Language	10 Lang
Dimension	Set (W x H x D) , in mm	57.39 x 32.87 x 2.87 1457.7 x 834.9 x 73
Bezel Size (U/D/L/R), in mm		0.52 / 0.60 / 0.52 / 0.52 13.15 / 15.25 / 13.15 / 13.15
Wall Mounting (WxH) mm		400 x 400 / 600 x 400 (M8)
Weight	Set (lb kg)	T.B.D

FEATURES
LED Backlight

HYUNDAI's public displays with LED backlight bring the advantage of up to 40% lower power consumption, compared to displays with CCFL backlight.

Easy operating OSD menu, Remote control

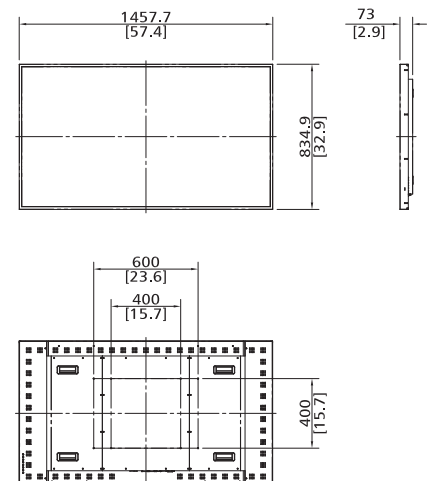
In order to setup a multi display wall, the single units are linked by a daisy chain connection over DVI interface. The configuration of each display can be easily set-up over the on-screen menu or the RS232C interface.

Slim Design

These products enable the slim design.

DIMENSIONS

[Unit: mm[inch]]



Specifications and design are subject to change without notice. See our website for detailed information.

UPDATE : OCT. 2015

HEAD OFFICE - HYUNDAI IT CO., LTD.
 S-20 Garden5 Tool 8F, Chungmin-ro, Songpa-gu, Seoul,
 138-962 Korea
 Tel. +82 70 7008 0110 E-mail: prio123@hyundaiit.com
 www.hdit.co.kr

HYUNDAI IT AMERICA CORP.
 2051 Junction AVE., Suite 112 San Jose, CA 95131, USA
 Tel. +1 408 954 8920 email : sales@hyundaita.com
 www.hyundaiit.com

HYUNDAI IT EUROPE GMBH
 Borsig Str. 11-13
 65205 Wiesbaden, Germany
 Tel. +49(0) 6122-70342-10 email : info@hyundaiit.eu
 www.hyundaiit.eu

HYUNDAI IT JAPAN
 Kawaziri Bldg. 2F, 534 Waseda Tsurumakicho,
 Shinjuku-ku, Tokyo, Japan
 Tel. +81 3 6273 9652 email : sales@hyundaiit.co.jp
 www.hyundaiit.com